

## FLRN36-12D/125 Indoor AC High Voltage Load Break Switch-Fuse Combination Apparatus

### Summary

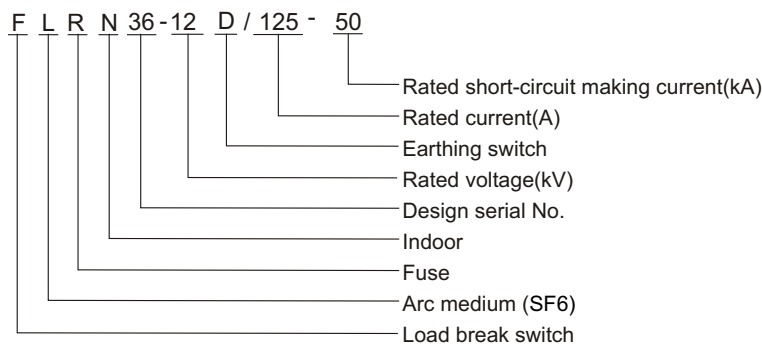
FLRN36 indoor AC high-voltage load break switch-fuse combination (combination in short) is a comprehensive and new combination apparatus produced on the bases of the mature experience in domestic and abroad. It is a complement apparatus of HXGN15-12 AC metal-enclosed ring main unit and it meets requirement of users in different power system. It has the advantages such as simple structure, easy maintenance, strong arc-extinction capability, high gap insulating level and high reliability. It accords with IEC62271-105, GB16926 & GB/T 11022 standards.



### Ambient condition

1. Altitude:  $\leq 1000\text{m}$ ;
2. Ambient temperature:  $-25^{\circ}\text{C} \sim +40^{\circ}\text{C}$ ;
3. Relative humidity: daily average  $\leq 95\%$ , monthly average  $\leq 90\%$ ;
4. Earthquake intensity:  $\leq 8$  degree;
5. Occasions without flammable and explosive matter, without corrosive chemical and frequent severe vibration.

### Model



### Product feature

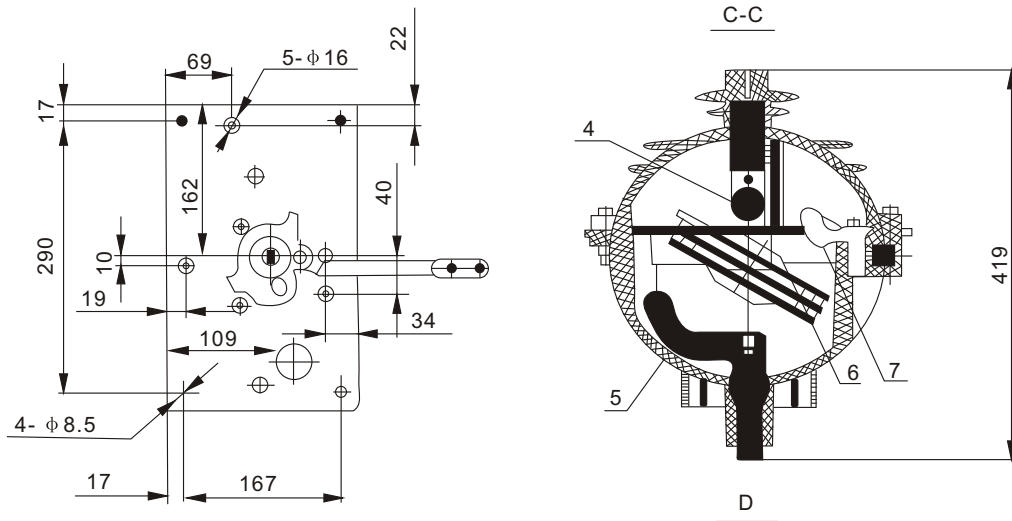
FLRN36-12D indoor AC high-voltage load break switch is equipped with double breaks, three working positions (ON, OFF, Earthing) and rotary moving contact. It uses SF6 for arcing and insulating medium. Moving contact, fixed contact and grounded contact are installed in epoxy resin enclosure by compressing casting. The operation mechanism is reliable and simple which can be operated by manual and motor. The reliable mechanical interlock device together with the switch body makes 5-protection functions.

### Technical specification

No.	Item	Unit	Load break switch	Combination
1	Rated voltage	kV	12	12
2	Rated current	A	630	125
3	Rated frequency	Hz	50/60	50/60
4	Rated short-circuit making current(peak)	kA	50	/
5	Rated short-time withstand current	kA	20	/
6	Rated peak withstand current	kA	50	/
7	Rated short-circuit duration	s	4	/
8	Rated active load breaking current	A	630	/
9	Rated closed-loop breaking current	A	630	/
10	Rated cable charging current	A	10	/

No.	Item		Unit	Load break switch	Combination
11	5% of rated active load breaking current		A	31.5	/
12	Rated short-circuit breaking current		kA	/	50
13	Rated transfer current		A	/	1550
14	Rated insulating level	1min. PF withstand voltage	phase-phase, to earth across open contacts	kV	42
				kV	49
	Lightning impulse withstand voltage	phase-phase, to earth across open contacts	kV	75	75
				kV	85
15	Circuit resistance of each pole		$\mu\Omega$	$\leq 70$ (exclude fuse resistance)	
16	Mechanical life of load break switch		Times	2000	2000
17	Rated short-time withstand current of earthing switch		kA	20	20
18	Rated peak withstand current of earthing switch		kA	50	50
19	Rated short-circuit duration of earthing switch		s	4	4
20	Rated short-circuit making current of earthing switch		kA	50	50
21	Mechanical life of earthing switch		Times	2000	2000

## Outline dimension



- 1.Spring operating mechanism 2.Cover 3.Case 4.Main contact  
5.Epoxy resin enclosure 6.Turning shaft 7.Earthing contact

